




COMPANY
PROFILE

CDESOLUTIONS

COLEMAN'S DESIGN & ENGINEERING SOLUTIONS



Offering Notable
Turn-Key Solutions
to All Projects

CDESOLUTIONS

The background of the slide features a light gray silhouette of industrial machinery, including a large crane or conveyor system on the left and a complex lattice structure of pipes and beams on the right. The top and bottom of the slide are decorated with blue and black geometric shapes.

COMPANY OVERVIEW

Coleman's Design & Engineering Solutions (CDE Solutions) was founded in 2011 with the main focus being transparency and offering turnkey engineering consulting solutions, in the Mining, Engineering & Construction sectors. Our exclusive business module delivers professional service at highly competitive rates. We provide our clients with honest costing breakdowns, indicating each aspect of expenditures in order to honour our promise of transparency.

ABOUT US

Our Mission:

Our mission is to offer turnkey solutions to any and all EPCM industries. While covering every aspect of project needs with our professionals and experts in all fields, while continuing to build the one-on-one interaction and relationship with our clients.

Our Vision:

Our vision is to set the benchmark standards in the design & engineering industry in the process of solving our clients' challenges in the most time effective and cost efficient manner, without a negative impact on the quality of work delivered.

Our Team:

With years of industry specific experience in mining & engineering, our Professional Engineers lead the Drawing Department with unparalleled knowledge and innovation. Our team is vested in working together with pace, pride and passion towards the common goal of satisfying our clients' needs.

Our Offer:

CDE Solutions has established their footprint in the engineering industry through excellence in design ethics and unsurpassed quality of workmanship. We believe that efficient cost management requires close communication & transparency towards our clients, throughout the project management and project control stages of each project.

Our Goal:

We are committed to remain a disciplined company, closely monitoring and managing all steps throughout projects, resulting in efficient control. With innovation we strive to simplify the solutions to our clients' challenges in order to minimize costs, yet provide the best quality in design & manufacturing. CDE Solutions offer our clients a guaranteed professional & reliable solution to any of their new projects, maintenance or upgrades, with our exclusive business module.

OUR SERVICES

Feasibility Studies:

Compiling of all relevant documentation pertaining to a potential project. Includes but not limited to the list of requirements below.

- Site Evaluation & Quantity survey
- Bill of Quantities
- Cost Estimates with validating Quotations
- Scope Documents & Site-Specific Specifications for projects
- Preliminary High-level Schedule of projects
- Assist clients with Project Scrubbing (optional)
- Assist client with tender Pack's (optional)
- Assist client with Technical adjudication of tenders (optional)

Professional Engineering:

- Civil
- Structural
- Mechanical
- Electrical & Instrumentation
- Piping (High Pressure, Steam)
- Architectural
- Process Engineering
- Quantity Surveying
- Land Surveying

Drawing Office:

- PFD & P&ID Drawings
- Civil Design
- Structural Design
- Mechanical Design
- Piping Design
- Plant Layout & Design
- Architectural Design
- Bulk Flow Simulation (Materials Handling)

Computer Aided Software:

- AutoCAD (2D & 3D) – (GA & Fabrication Drawings)
- Inventor (2D & 3D) – (GA & Fabrication Drawings)
- Rivet (2D & 3D)
- Bulk Flow (Animation of material flow)
- MS Projects (Schedules & Management of Projects)
- Tekla (2D & 3D) – (GA & Fabrication Drawings)
- ProKon – Structural
- Cesar Analysis – Piping
- Finite Analysis - Mechanical

Project Management:

- Planning
- Costing / Procurement
- Execution

NATURE OF OUR WORK

- › Structural Design & Layouts of Steel Structures
- › Mechanical & Process Design of Materials Handling equipment
- › Civil Design & Layouts
- › Design of Piping & Pumping Systems
- › Models, Design calculations and drawings are provided for each design to the clients' standards
- › PCN Project services on plants (Costing, Procurement, Construction Management, Maintenance Schedules, Design Criteria's, Scope of Work, Project Planning with Microsoft Office Project Planning, Layouts, Tender Scopes, 3D Model Reviews and Drawing Production)
- › On-site surveying and measuring of existing structures and equipment
- › CDE Solutions is experienced with operations and equipment of Smelter Plants, Base Metal Refineries, Precious Metal Refineries, Shaft Operations & Underground Equipment.

FABRICATION & INSTALLATION

- › All fabrication & installation is to be done according to the clients' requirements & specifications
- › QA / QC – CDE Solutions make use of 3rd party inspectors for a independent report on all quality requirements
- › Supply, Fabrication & Installation for all disciplines are offered:
 - › Structural
 - › Mechanical
 - › Piping
 - › Materials Handling
 - › E&I

CURRENT CLIENT BASE

Our current client base includes the following: Anglo Platinum

- › Anglo PMR (Precious Metal Refineries)
- › Anglo BMR (Base Metal Refineries)
- › Anglo Waterfall Smelter (WVS)
- › Amandelbult Concentrators

HEALTH & SAFETY (ISO)

ISO is an independent, non-governmental international organization with a membership of 161 national standards bodies. CDE Solutions believe that Health & Safety Regulations & Standards take priority in all operations. Effective management of Health & Safety Rules & Regulations is our main focus in any working environment. Our Health & Safety commitments are listed below:

- ISO/IEC TR 18001:2004 – In Planning (Waiting for transitioning to ISO 45001)
Information Technology – Radio Frequency Identification for Item Management – Application Requirements Profiles
- ISO 45001 (Under Development) – To be acquired once transitioning is completed
Occupational Health & Safety Management Systems – Requirements with Guidance for Use
- ISO 9001:2015 – In Planning
Quality Management Systems – Requirements
- ISO/TS 9002:2016 – In Planning
Quality Management Systems – Guidelines for the Application of ISO 9001:2015
- ISO 14001:2015 – In Planning
Environmental Management Systems – Requirements with Guidance for Use
- NOSA Accreditation – In Progress
A strategic split between Health & Safety, QA / QC and Environmental

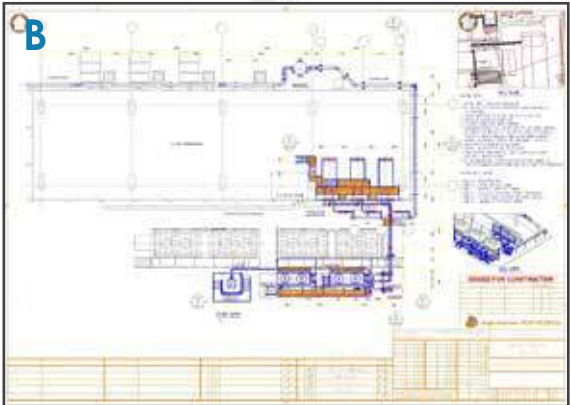
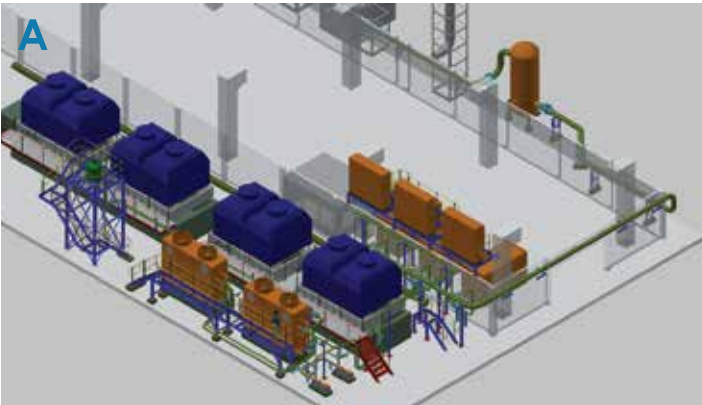
CURRENT VENDORS

- Anglo American Platinum
- Royal Bafokeng Platinum (vendor register)
- Glen Core (vendor register)

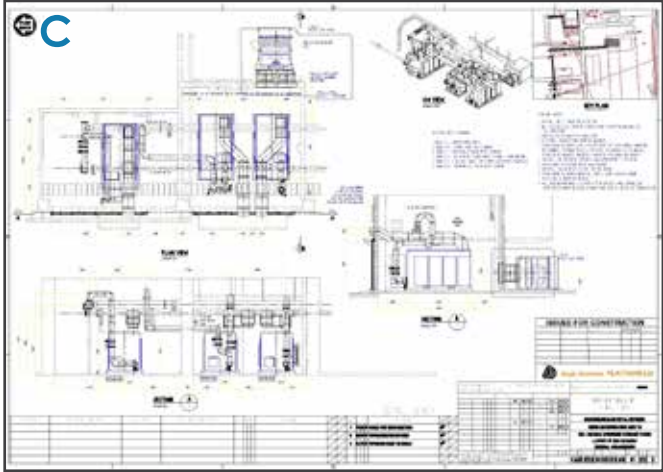
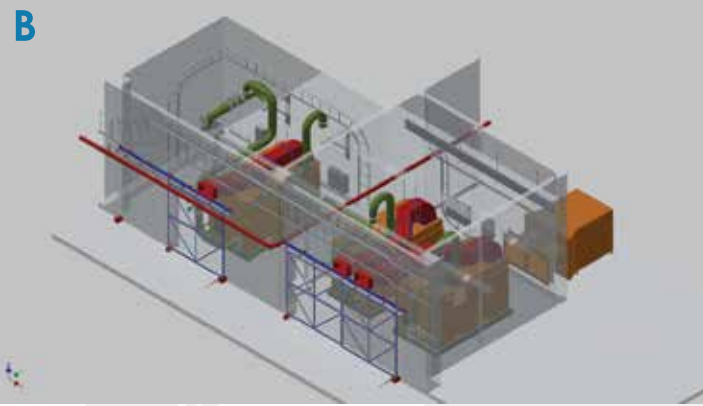
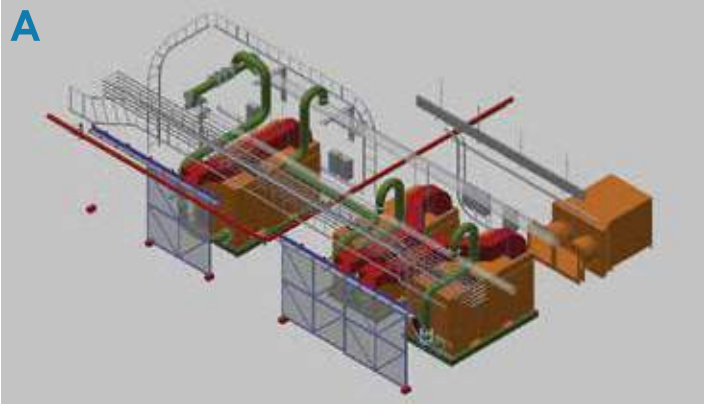
VENDORS IN PROGRESS

- Sibanye

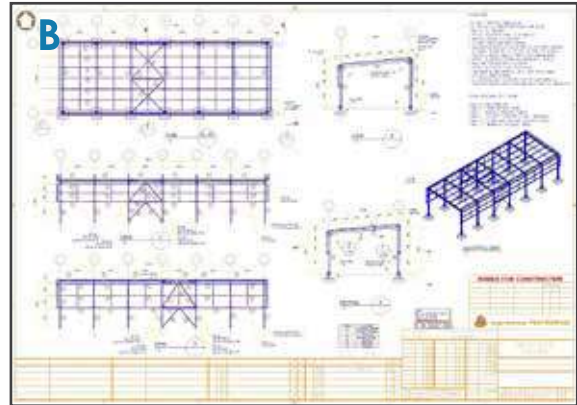
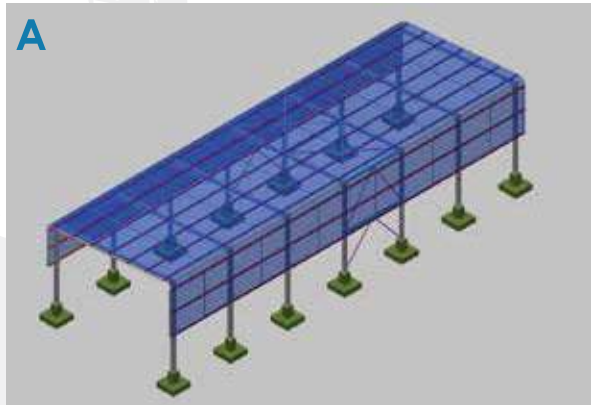
COMPRESSOR HOUSE DESIGN 3D & DWG



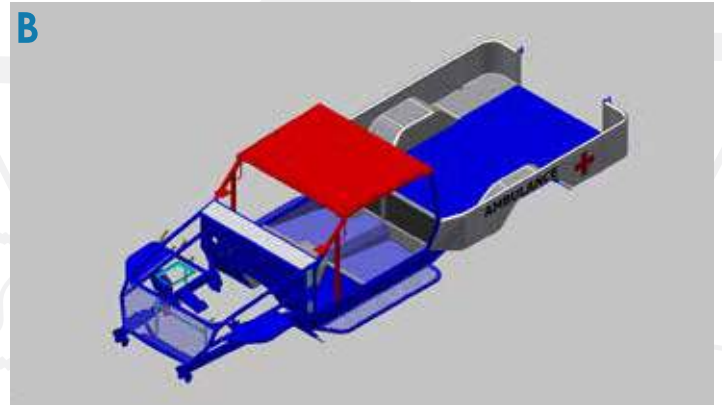
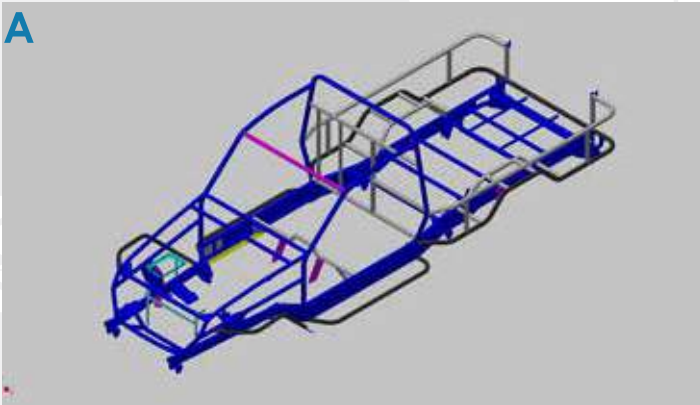
BLOWER HOUSE DESIGN 3D & DWG



ROOF COVER DESIGN 3D & DWG

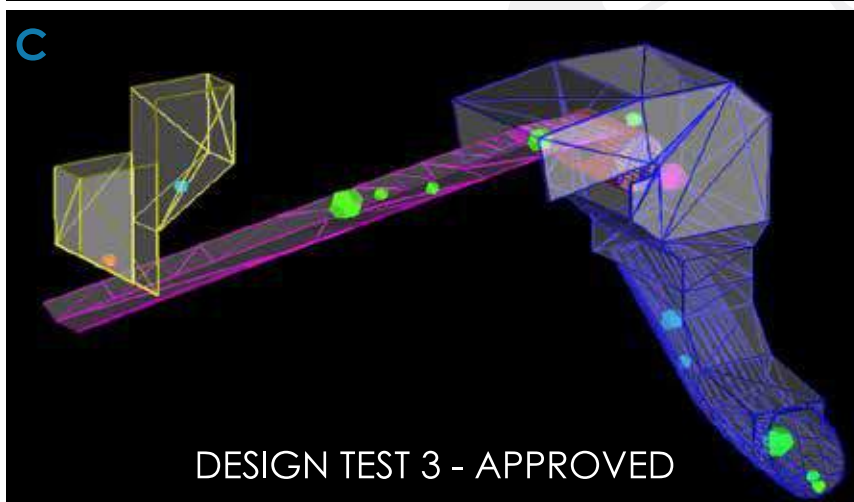
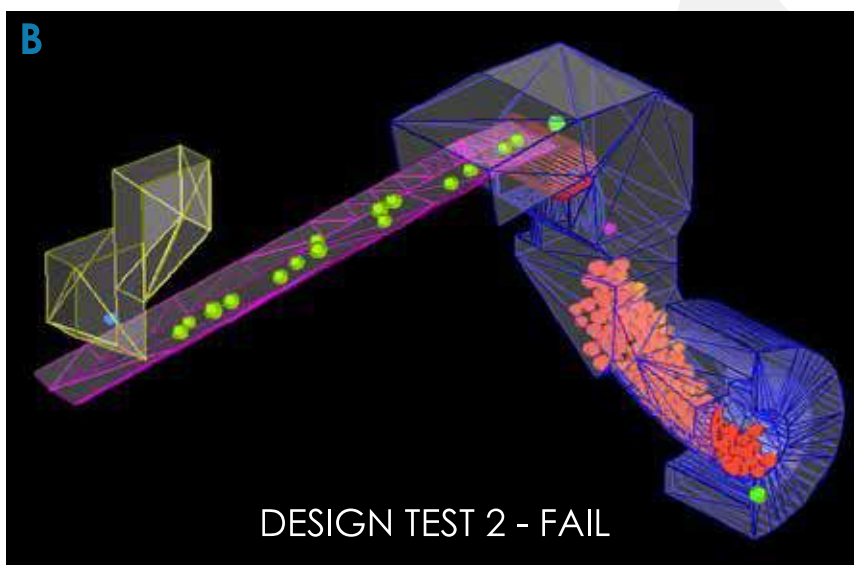
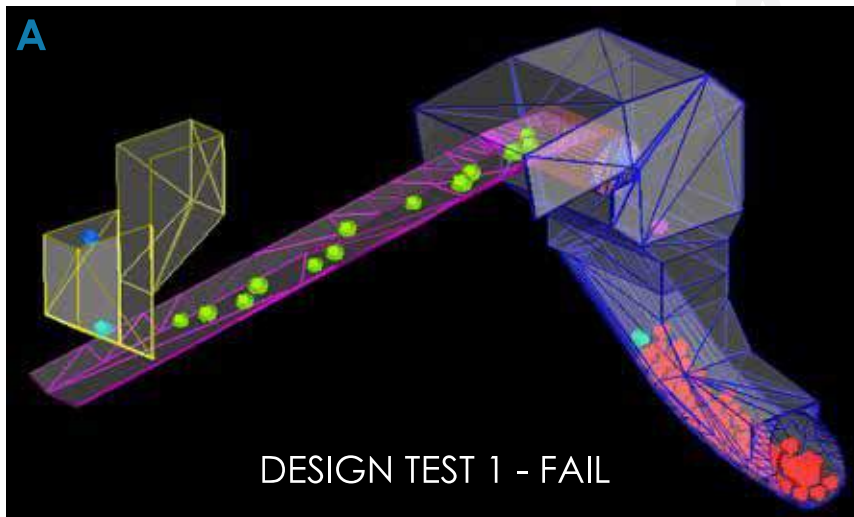


U/G AMBULANCE DESIGN 3D CONCEPT



MATERIALS HANDLING DESIGNS

BULK FLOW ANALYSIS



PREVIOUS PROMINENT PROJECTS

Anglo American - BMR – Steel integrity Upgrade PH#4

- Identify all steel work in the plant that has corroded to the point that its structural integrity will fail. A category system was drafted and followed to show the order in when the steel would be replaced.
- R38 million
- 12 months
- Louis de Kock

Anglo American - BMR – Steel integrity Upgrade PH#5

- Identify all steel work in the plant that has corroded to the point that its structural integrity will fail. A category system was drafted and followed to show the order in when the steel would be replaced.
- R44.6 million
- 15 months
- Wessel Jurrius

Anglo American - PMR – Steel integrity Upgrade PH#1

- Identify all steel work in the plant that has corroded to the point that its structural integrity will fail. A category system was drafted and followed to show the order in when the steel would be replaced.
- R4.8 million
- 12 months
- Danie de Bruin

Anglo American - BMR – E&S Steam line replacement (12bar)

- Design and engineering of the replacement steam line in Stainless steel pipe.
- R76 600.00
- 3 weeks
- Georgie Mathews

PREVIOUS PROMINENT PROJECTS

Anglo American – Amandelbult Concentrators Weighbridge Design

- › Design all civils, structural and piping requirements to install a 3rd party weighbridge.
- › R61 305.00
- › 3 weeks
- › Leon Badenhorst

Anglo American - PMR – Steel integrity Upgrade PH#2 - Feasibility Study (BOQ)

- › Identify all steel work in the plant that has corroded to the point that its structural integrity will fail. Compile a full BOQ of all member sizes and lengths for all the areas in the plant.
- › R565 567 631.06
- › 2 months
- › Danie de Bruin

Anglo American - WVS – Steel integrity Upgrade PH#1 - Feasibility Study (BOQ)

- › Identify all steel work in the plant that has corroded to the point that its structural integrity will fail. A category system was drafted and followed to show the order in when the steel would be replaced.
- › R515 855.20
- › 2 months
- › Natale Scarcella

Anglo American - WVS – North Gate Roof Structure

- › Supply, Fabrication, Corrosion Protection, Delivery and Installation
- › R784 627.08
- › 1 month
- › Johan Mocke

PREVIOUS PROMINENT PROJECTS

Anglo American – PMR – Tank Jack & Support Design

- › Design, Engineering, GA & Fabrication Drawings.
- › R67 490.00
- › 2 weeks
- › Danie de Bruin

DRA – BMR – MCP Major Tank Replacement

- › Design, Engineering, GA & Fabrication Drawings.
- › R77 532.00
- › 2 weeks
- › Wally Culverwell

Anglo American - BMR – Condor (Air Separation Project)

- › Design, Engineering, GA & Fabrication Drawings.
- › R372 955.00
- › 2 months
- › Johan Geldenhuys

Anglo American - BMR – E&S Slurry Section Civil Repairs & New Crawl Design

- › Design, Engineering, GA & Fabrication Drawings.
- › R48 466.00
- › 2 weeks
- › Bandi Ntwanano

COMPANYDETAILS

Registered Company Name: Coleman's Design & Engineering Solutions
Trading as: CDE Solutions CC
BEE Status: 40% Black Female Owned
Company Registration Number: 2011/046523/23
VAT Number: 4790275889
Registered Address: Farm 35
Upper River Road
Swartkrans
Physical Address: 155 Kock Street
De Dak Building - Unit 3
Rustenburg, 0299
North West Province
Postal Address: P.O. Box 688
Rant-en-dal
Krugersdorp, 1751
Gauteng
Contact Person & Details: Duncan Coleman
C: 078 143 0150
E: admin@cdesolutions.co.za

COMPANY
PROFILE

CDESOLUTIONS
COLEMAN'S DESIGN & ENGINEERING SOLUTIONS